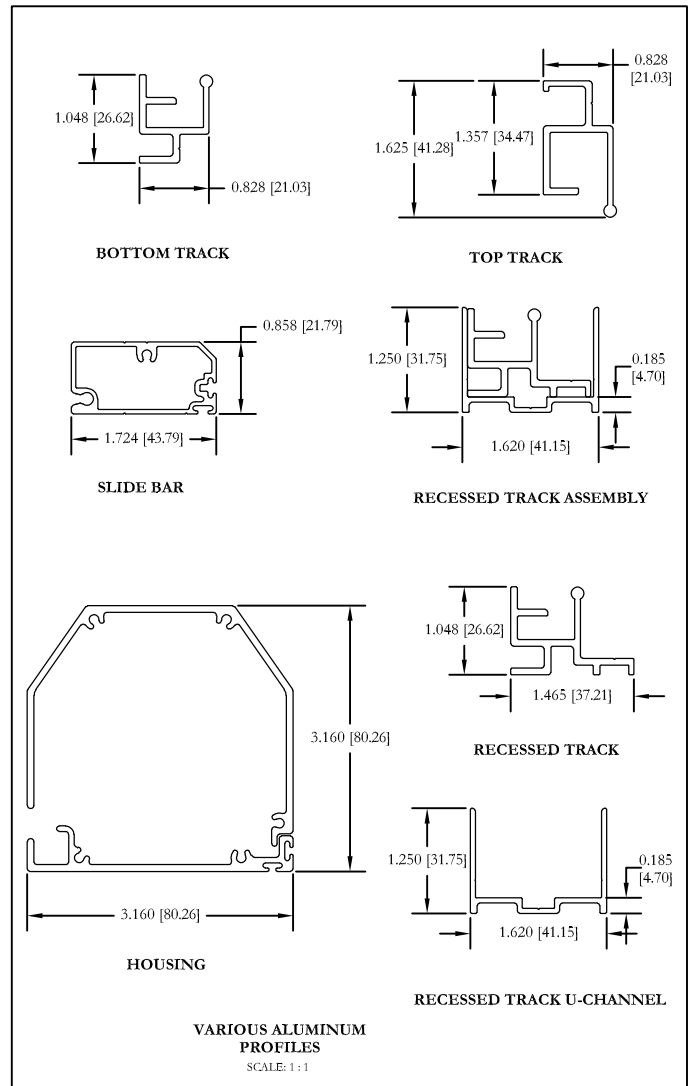
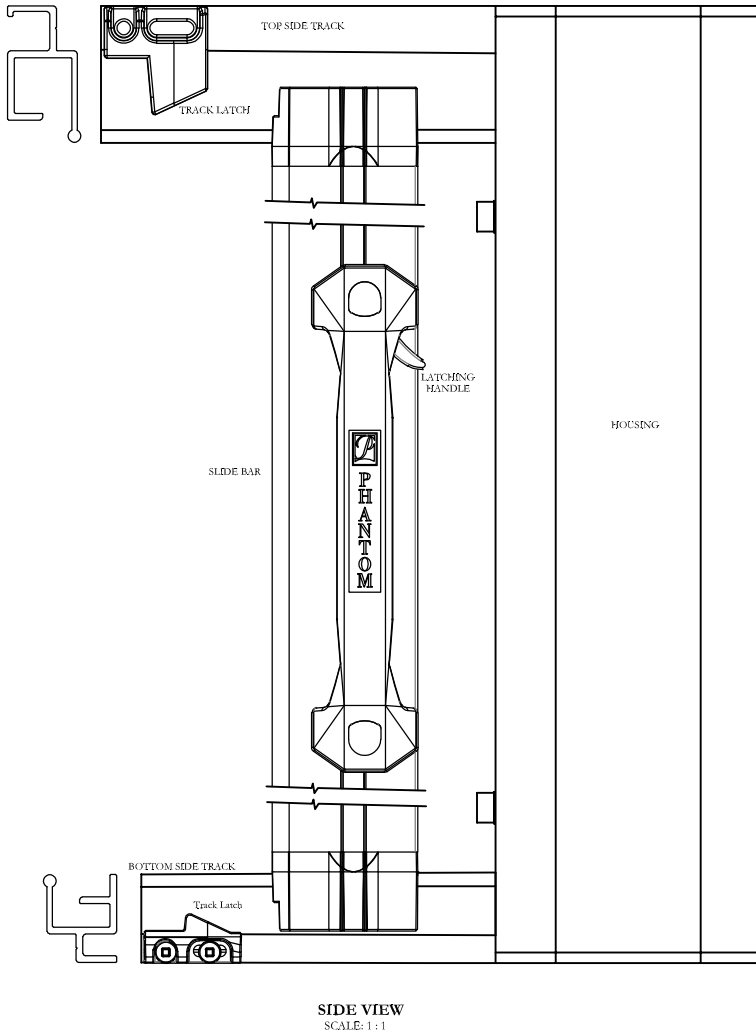
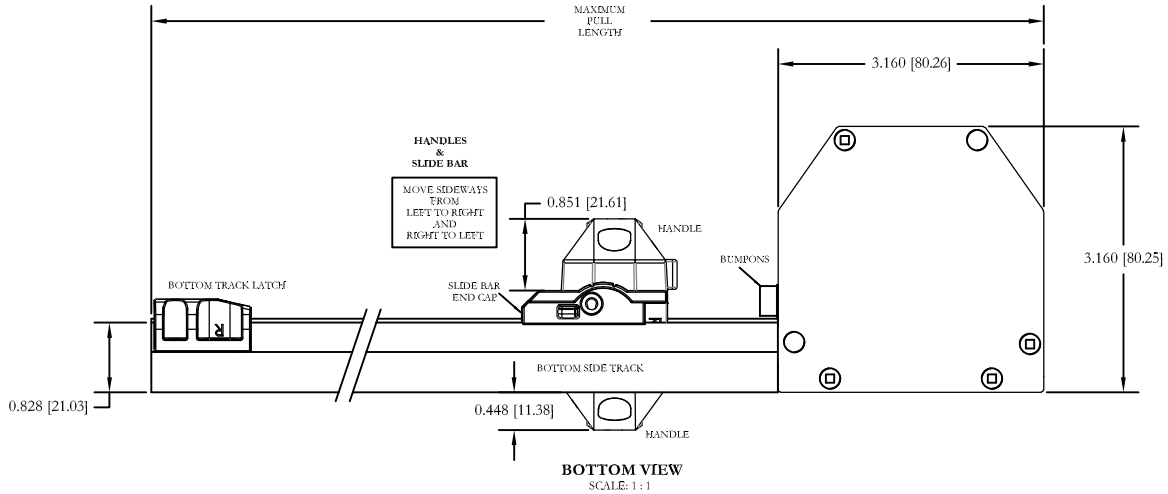


RETRACTABLE WALL SCREEN

Detail Views

ALL DIMENSIONS ARE SHOWN IN INCHES WITH MILLIMETERS IN BRACKETS



NOTE(S):

1. DRAWINGS SUBJECT TO CHANGE
2. PDF DRAWINGS ARE NON-SCALABLE ON A SHEET THIS SIZE
3. FOR TO SCALE AUTOCAD DRAWINGS REFER TO WEB SITE

Creator: NDR	Date: 02/16/17	Revision: Rev:
Drawing Title: PSRETRACTABLEWALLSCREENWLMAH15-02		
© 2017 Phantom Mfg. Intl Ltd.		Scale: As Shown